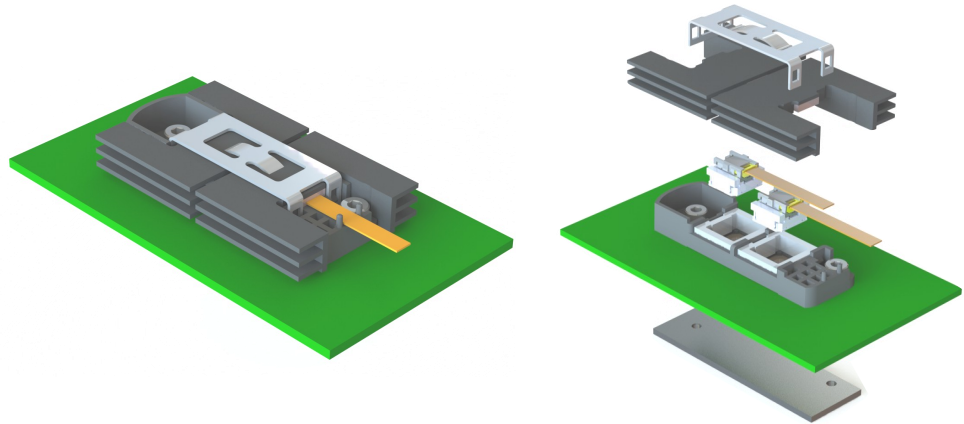




Connection Technology
For a Connected World

PariPoser® Socket for Avago MicroPOD™ Optical Transceiver Devices



The PariPoser Socket for Avago MicroPOD Optical Transceiver Device family is a typical application of the PariPoser Contact System.

The PariPoser Socket for MicroPOD optical transmitters/receivers is a low profile surface-mount assembly that provides high performance interconnection while integrating heat transfer and providing environmental protection for the optical interface.

The Paricon PariPoser Socket has been qualified in accordance to the requirement of Telcordia Document GR-468-CORE under the supervision of Avago Technologies FOPD.

Specifications

- * Low Profile Surface Mount Assembly (8.7mm)
- * High Performance Interconnect
- * Integrating Heat Transfer & providing Environmental isolation
- * Low Resistance (<20 milliohms)
- * High Bandwidth (>70GHz)
- * Low RF Loss (<0.3db @ 40GHz)
- * Low Signal Delay (<2 picoseconds at 30 picoseconds rise time)
- * Solderless Compression Mount

The PariPoser contact system is the only particle based elastomeric conductive film that is qualified and proven for long term use in communication, computer, instrumentation and other demanding applications.

Paricon Technologies Corporation

500 Myles Standish Blvd
Taunton, MA 02780 USA
Tel: 1 (508) 689 5111
Fax: 1 (508) 676 8111
Email: sales@paricon-tech.com

www.paricon-tech.com

Any information furnished by Paricon Technologies Corp. and its agents, is believed to be accurate and reliable. All specifications are subject to change without notice. Responsibility for the use and application of Paricon Technologies materials rest with the end user, since Paricon Technologies and its agents cannot be aware of all potential uses. Paricon Technologies makes no warranties as to the fitness, merchantability or suitability of any Paricon Technologies materials or products for any specific application. Paricon Technologies shall not be liable for incidental or consequential damages of any kind. All Paricon Technologies products are sold pursuant to the Paricon Technologies Terms and Conditions of sale, which may change from time to time, a copy of which will be furnished upon request. © Copyright 2015 Paricon Technologies Corporation. All Rights Reserved. Paricon Technologies, the Paricon Logo, and other marks are trademarks or registered trademarks of Paricon Technologies Corporation or an affiliate company thereof.