

Hybrid PariProbe[®] 0.8mm Pitch



Hybrid PariProbe[®] pins combine the best characteristics (high speed, high power and high compliance) of a spring pin with PariPoser[®] anistropic conductive elastomer.

MATERIAL

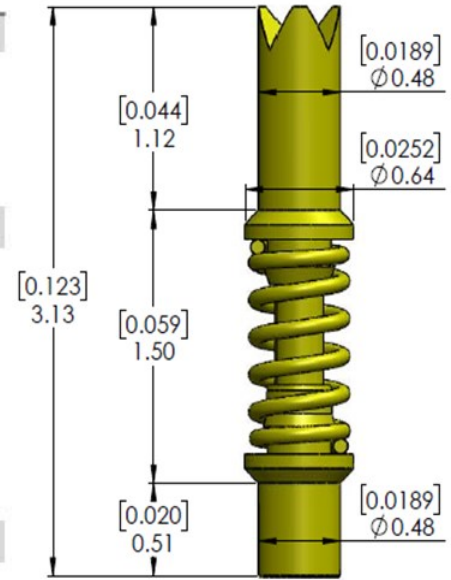
Top Contact	Hardened BeCu [Ni, Au]
Bottom Contact	Phos Bronze [Ni, Au]
Spring	Stainless Steel [Au]

MECHANICAL PROPERTIES

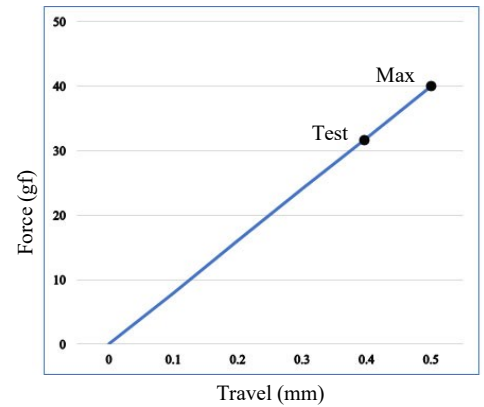
Free Length	3.13 mm
Spring Force at Recommend Travel	32 g @ 0.42 mm
Maximum Travel	0.50 mm
Operating Temperature	-40 to 150 °C
Expected Life Cycles	500,000+

ELECTRICAL CHARACTERISTICS

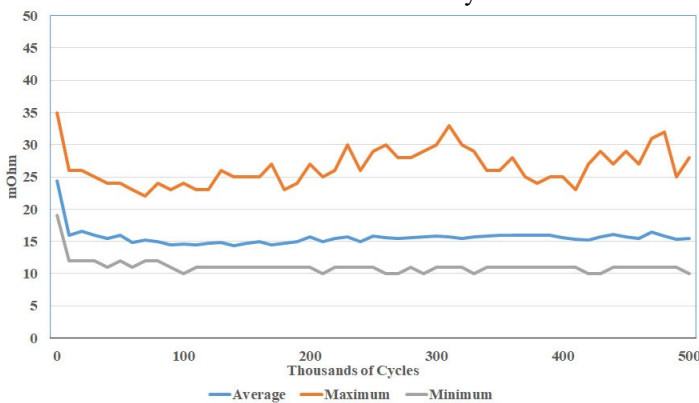
Contact Resistance Average	<30 mOhms
Current Rating (ISMI Test)	8.0 A
Simulation Pattern	(G-S-G) @ 0.8 mm pitch
Dielectric Constant	3.9
-1dB Insertion Loss (S21)	16.55 GHz
-10dB Return Loss (S11)	17.60 GHz
Self Inductance	0.85 nH
Capacitance	0.22 pF



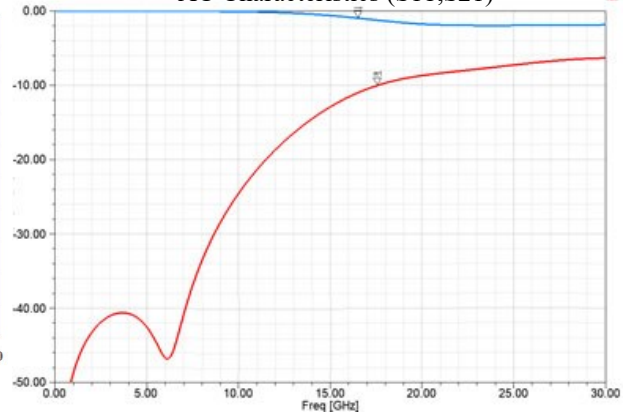
Force Chart



CRES vs.Durability



AC Characteristics (S11,S21)



PHP-080

Hybrid PariProbe[®] 0.8mm Pitch



Hybrid PariProbe[®] pins combine the best characteristics (high speed, high power and high compliance) of a spring pin with PariPoser[®] anisotropic conductive elastomer.

MATERIAL

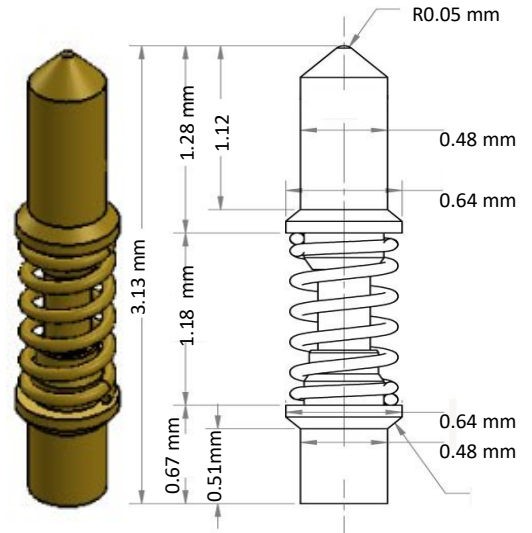
Top Contact	Hardened BeCu [Ni, Au]
Bottom Contact	Phos Bronze [Ni, Au]
Spring	Stainless Steel [Au]

MECHANICAL PROPERTIES

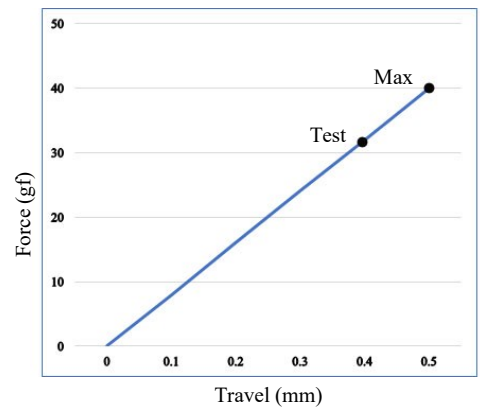
Free Length	3.13 mm
Spring Force at Recommend Travel	32 g @ 0.42 mm
Maximum Travel	0.50 mm
Operating Temperature	-40 to 150 °C
Expected Life Cycles	500,000+

ELECTRICAL CHARACTERISTICS

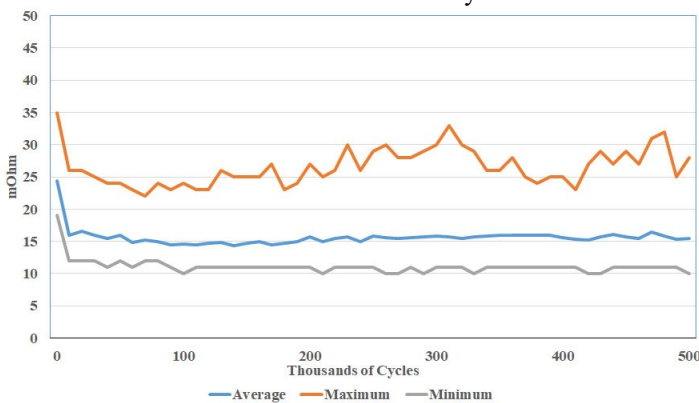
Contact Resistance Average	<30 mOhms
Current Rating (ISMI Test)	8.0 A
Simulation Pattern	(G-S-G) @ 0.8 mm pitch
Dielectric Constant	3.9
-1dB Insertion Loss (S21)	16.55 GHz
-10dB Return Loss (S11)	17.60 GHz
Self Inductance	0.85 nH
Capacitance	0.22 pF



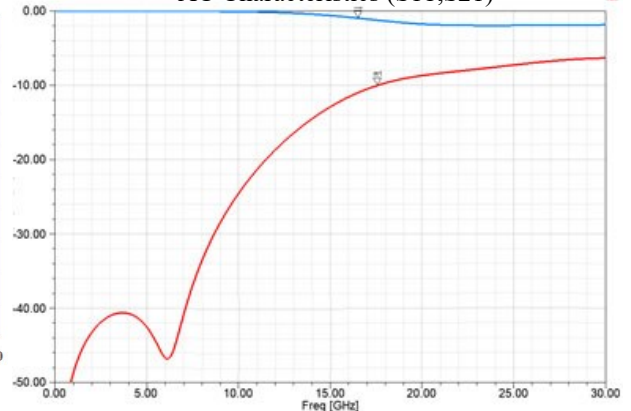
Force Chart



CRES vs. Durability



AC Characteristics (S11, S21)



PHP-080