

Power Probe 3mm Pitch

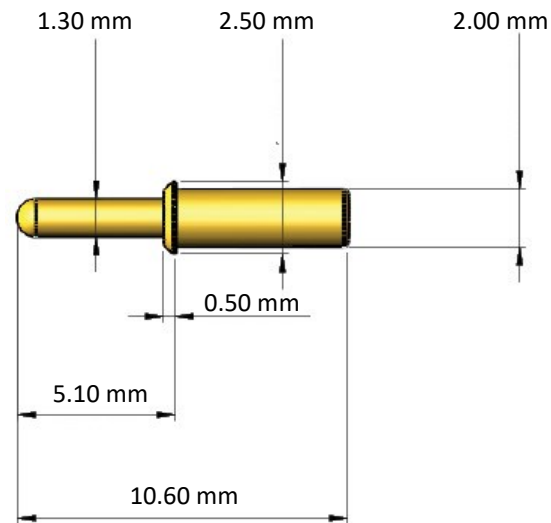
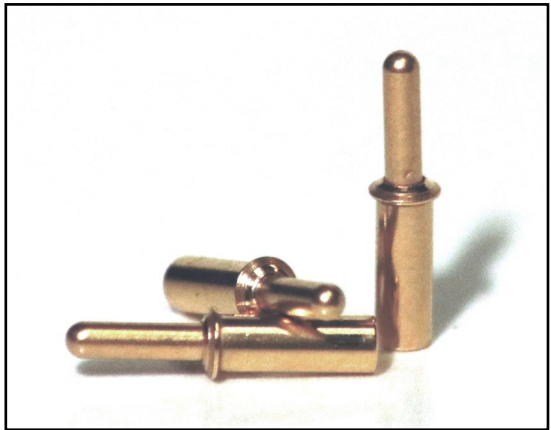


Compliant **Power** contacts are used in test and production applications when high current, high durability and rugged construction are needed.

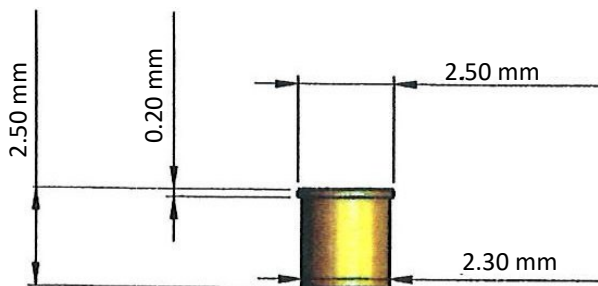
MATERIAL	
Plunger	BeCu [Gold Plated]
Barrel	Brass [Gold Plated]
Spring	Music Wire [Gold Plated]

MECHANICAL PROPERTIES	
Pitch	3.0 mm
Free Length	10.6 mm
Spring Force at Recommend Travel	1N @ 3.3 mm
Maximum Travel	4.0 mm
Working Travel	3.0 mm
Operating Temperature	-40 to 80 °C
Expected Life Cycles	500,000+

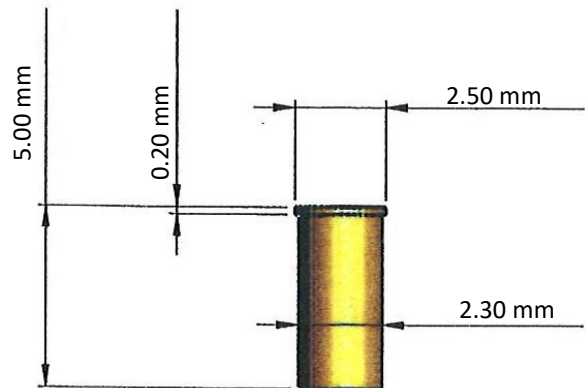
ELECTRICAL CHARACTERISTICS	
Contact Resistance Average	<20mΩ
Current Rating	8.0 A



Short Receptacle



Long Receptacle



PIS-300