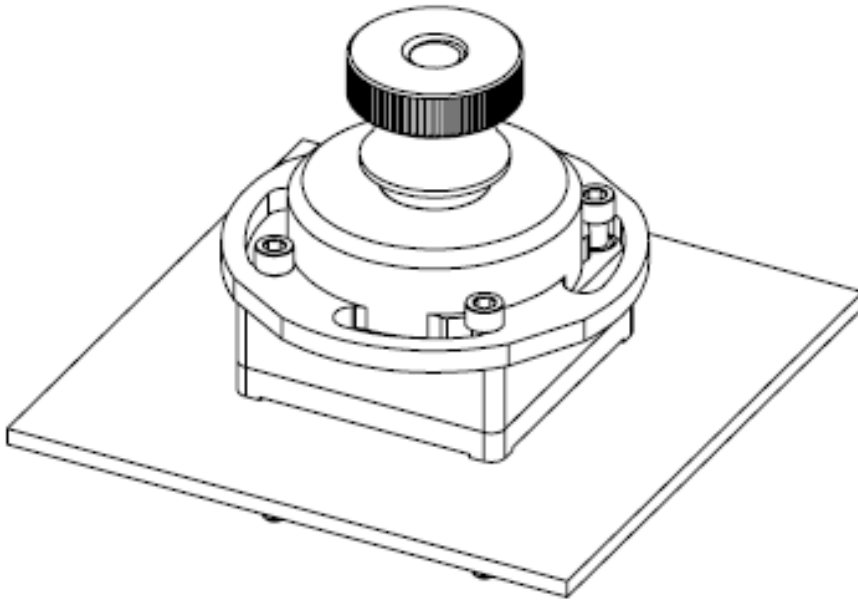
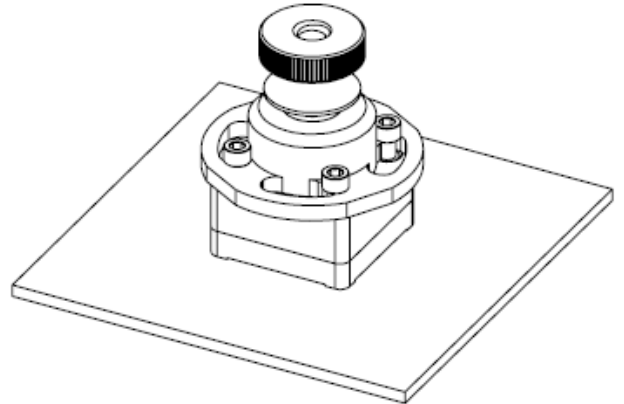
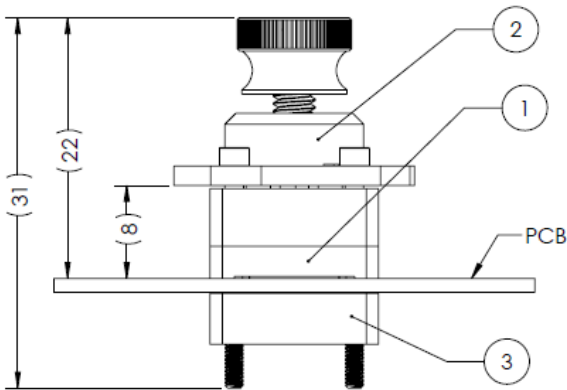
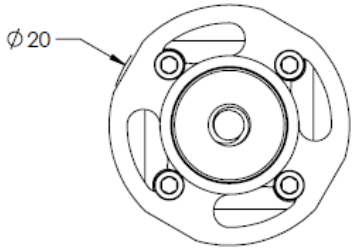


# Compact Manual Loading Socket Assembly [F10]



# Compact Manual Loading Socket Up to 7x7mm

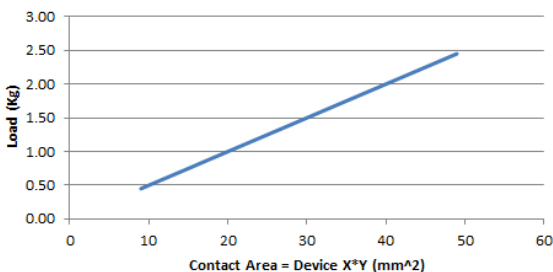


1. Alignment Frame w/ PariPoser® Elastomer
2. Load Clamp Cover
3. Support Plate / Base Plate

## Compact Manual Loading Socket

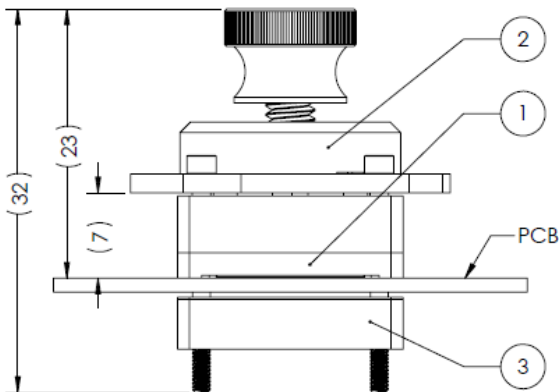
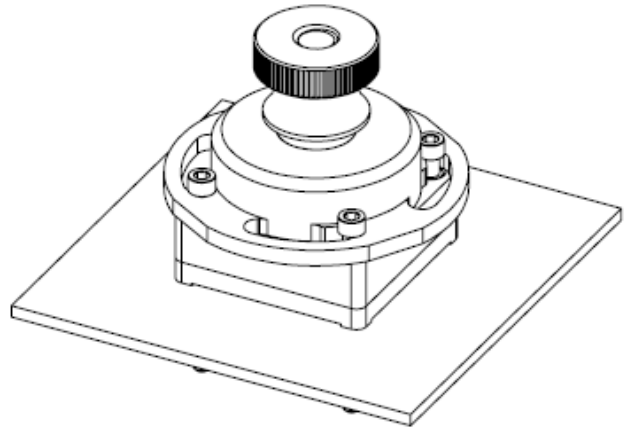
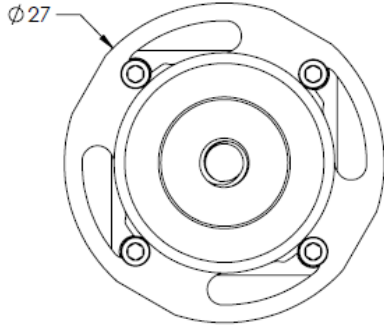
- Test Socket, Application/OEM Socket
- Manually Loaded with Key-Lock Clamp Cover
- For Device Sizes: **Up to 7x7mm**
- 0.1 to 1.27mm Pitch Applications
- Compatible with most devices (e.g. LGA, QFN, BGA, Copper Pillar)
- Small X,Y, and Z profile
- Lower Cost
- Nominal Clamp Load for 7x7mm LGA: **2.5 kg [5.5 lbs]**
- Clamp Load Adjustable, Factory Preset Based on Application
- Customizable Features:
  - Alignment frame can be modified to include RF trace clearance

The compact design results in a small footprint that is ideal for applications with limited space and low wattage, as the enclosed design limits heat dissipation.





# Compact Manual Loading Socket Up to 12x12mm

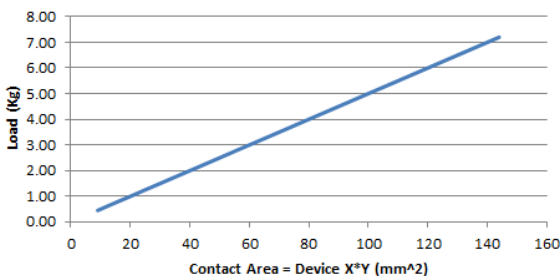


1. Alignment Frame w/ PariPoser® Elastomer
2. Load Clamp Cover
3. Support Plate / Base Plate

## Compact Manual Loading Socket

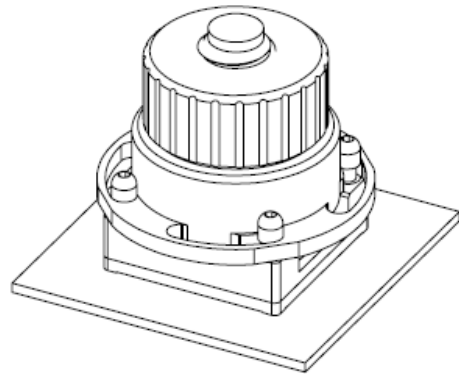
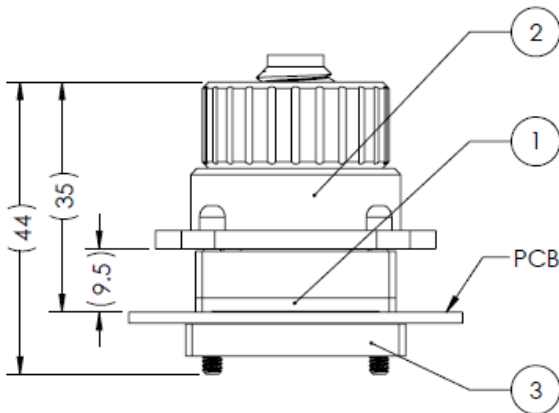
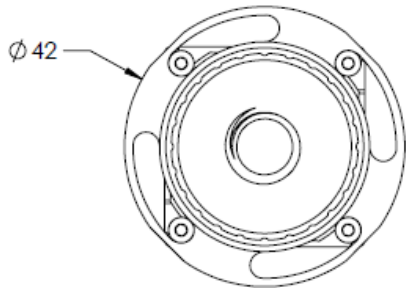
- Test Socket, Application/OEM Socket
- Manually Loaded with Key-Lock Clamp Cover
- For Device Sizes: **Up to 12x12mm**
- 0.1 to 1.27mm Pitch Applications
- Compatible with most devices (e.g. LGA, QFN, BGA, Copper Pillar)
- Small X,Y, and Z profile
- Lower Cost
- Nominal Clamp Load for 12x12mm LGA: **7.5 kg [16.5 lbs]**
- Clamp Load Adjustable, Factory Preset Based on Application
- Customizable Features:
  - Alignment frame can be modified to include RF trace clearance

The compact design results in a small footprint that is ideal for applications with limited space and low wattage, as the enclosed design limits heat dissipation.





# Compact Manual Loading Socket 10x10 to 20x20mm

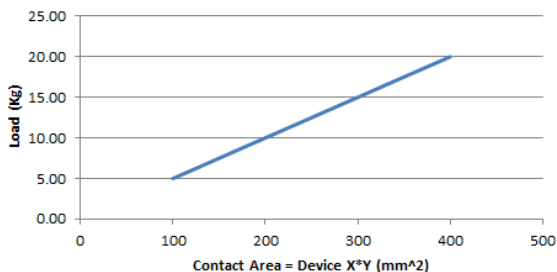


1. Alignment Frame w/ PariPoser® Elastomer
2. Load Clamp Cover
3. Support Plate / Base Plate

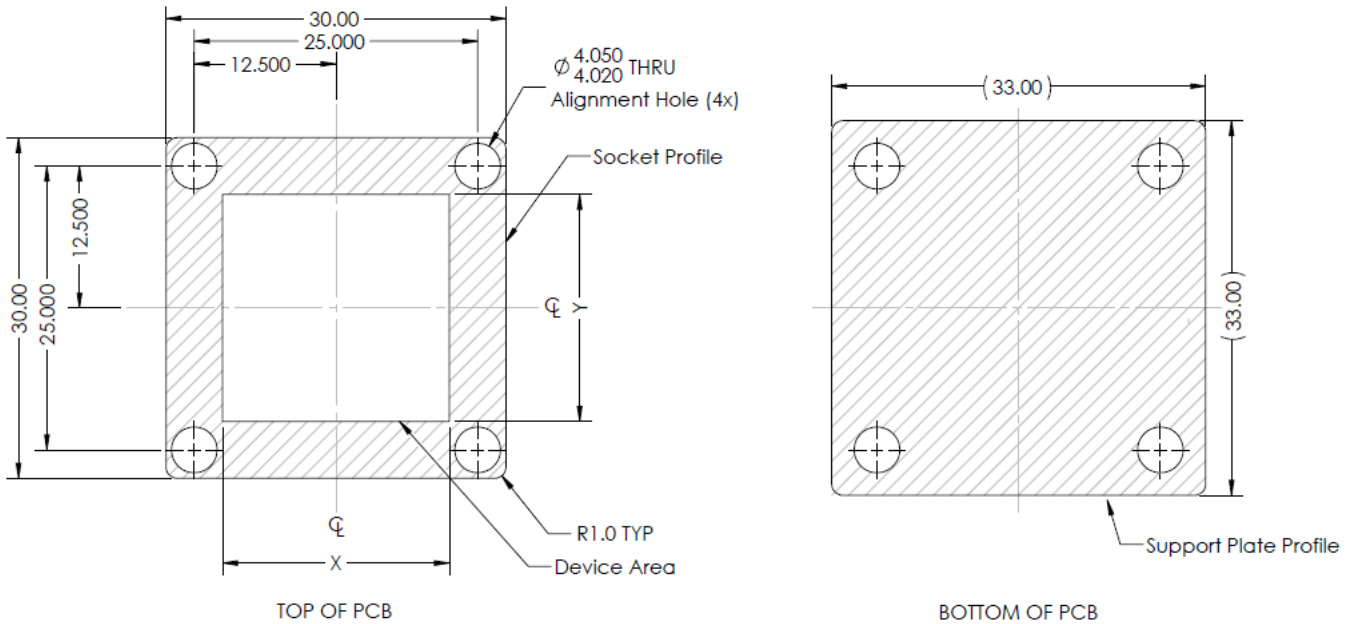
## Compact Manual Loading Socket

- Test Socket, Application/OEM Socket
- Manually Loaded with Key-Lock Clamp Cover
- For Device Sizes: **10x10mm to 20x20mm**
- 0.1 to 1.27mm Pitch Applications
- Compatible with most devices (e.g. LGA, QFN, BGA, Copper Pillar)
- Small X,Y, and Z profile
- Lower Cost
- Nominal Clamp Load for 20x20mm LGA: **20 kg [44 lbs]**
- Clamp Load Adjustable, Factory Preset Based on Application
- Customizable Features:
  - Alignment frame can be modified to include RF trace clearance

The compact design results in a small footprint that is ideal for applications with limited space and low wattage, as the enclosed design limits heat dissipation.



## Compact Manual Loading Socket – Standard Footprint Drawing 10x10mm to 20x20mm



X.	$\pm 1.0$
X.X	$\pm 0.25$
X.XX	$\pm 0.10$
X.XXX	$\pm 0.025$

Tolerances on dimensions shown may vary by device pitch.

Hatched Regions: Socket Clamp Area (Component Keep Out Zone).

Recommended PCB Attributes:

- No soldermask within device area
- ENIG or Hard Gold plating on pads

Package Size:                      X: 10mm to 20mm  
   Y: 10mm to 20mm